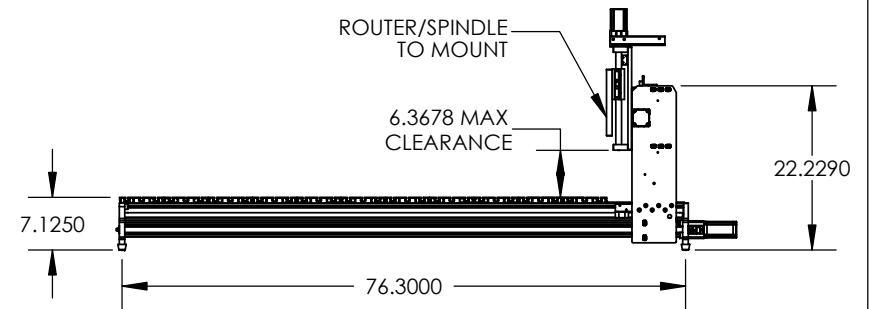
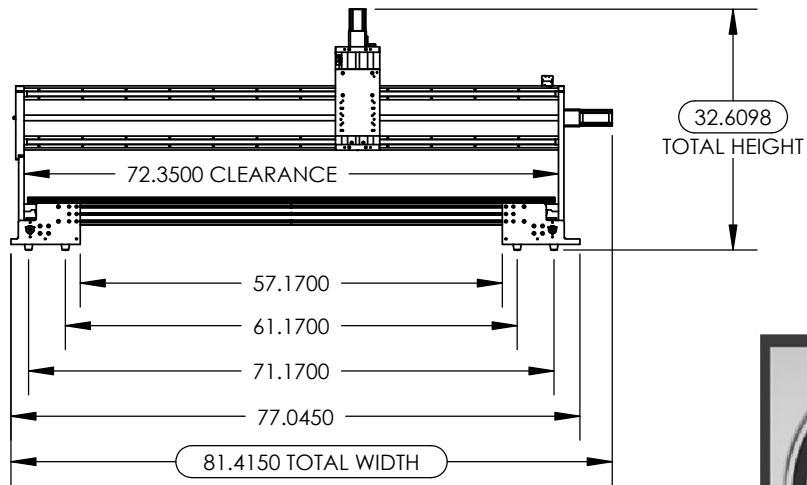


TABLE TOP \*REMOVAL WILL PROVIDE AN OPEN BED CLEARANCE OF: 50.0700IN (X) AND 61.7500IN (Y)



**PUBLIC RELEASE**

\*\*\* MISSING DIMENSIONS ARE INTENTIONAL AND FOR PRODUCTION USE ONLY \*\*\*



UNLESS OTHERWISE SPECIFIED:  
 DIMENSIONS ARE IN INCHES  
 HOLES THROUGH ALL  
 TOLERANCE :  
 0.00 ±0.0100  
 0.000 ±0.0050  
 0.0000 ±0.0020  
 INTERPRET GEOMETRIC TOLERANCING PER:  
 MATERIAL  
 FINISH  
 DO NOT SCALE DRAWING

	NAME	DATE
DRAWN	CAD	2/17/2016
CHECKED		
ENG APPR.		
MFG APPR.		
THIRD ANGLE PROJECTION		
COMMENTS:		

<b>VELOX CNC</b>		
TITLE: <b>VR-6262</b>		
2016 CURRENT MODEL		
SIZE	PART NO.	REV
<b>A</b>	6262X	<b>3</b>
SCALE: 1:26	WEIGHT:	SHEET 5 OF 5