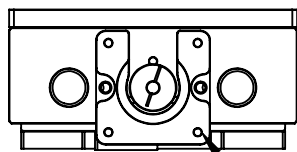
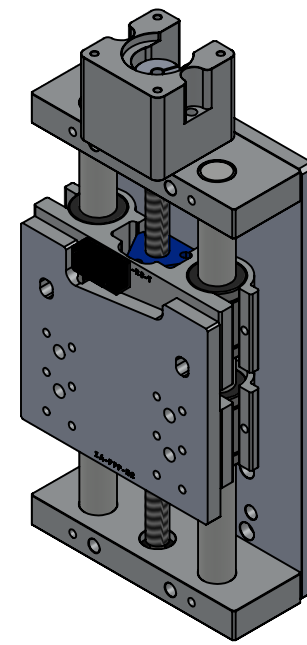
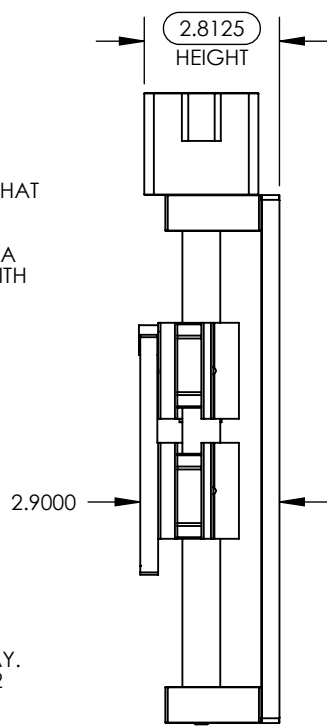
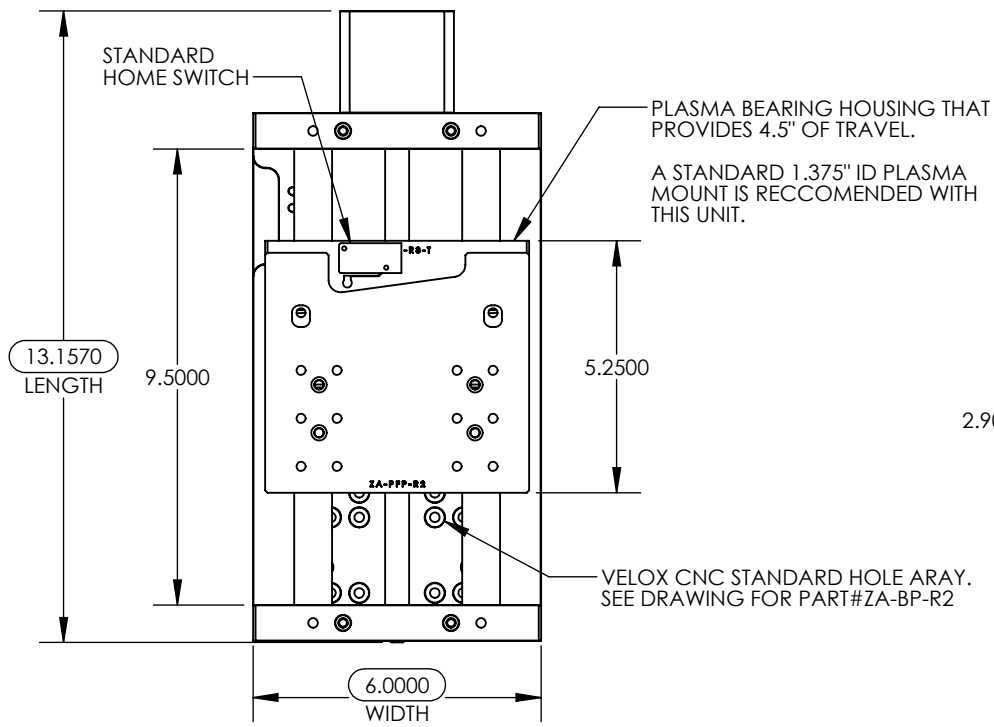


***PUBLIC RELEASE**

REVISIONS				
ZONE	REV.	DESCRIPTION	DATE	APPROVED
PUB	3	PUBLIC RELEASE DRAWING	10/27/2015	CP



#10-32 STANDARD NEMA-23 BOLT PATTERN
- NEMA-34 TRANSITION PLATE UPGRADABLE



	NAME	DATE
DRAWN	CAD	10/27/2015
CHECKED		
ENG APPR.		
MFG APPR.		
THIRD ANGLE PROJECTION		
COMMENTS:		

VELOX CNC		
TITLE:		
ZA450P		
CONFIGURATION: ZA450P		
SIZE PART NO.	REV	
A	3	
SCALE: 1:4	WEIGHT:	SHEET 6 OF 6