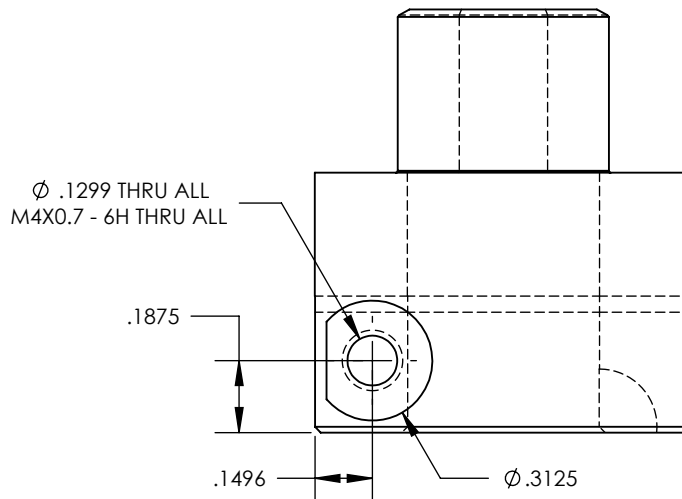
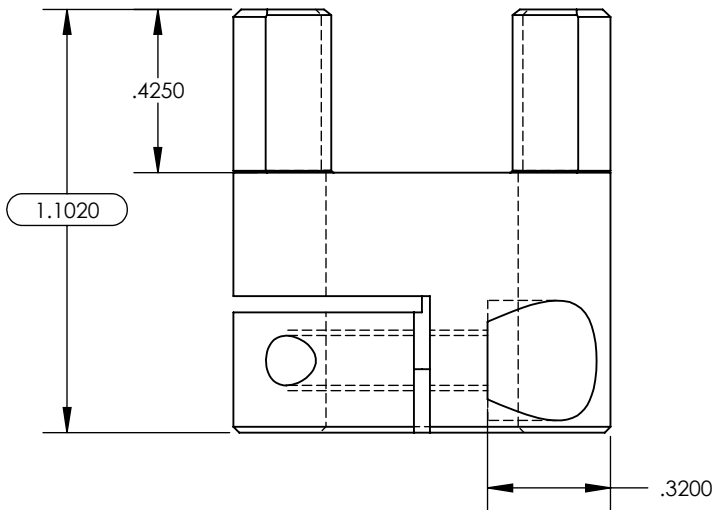
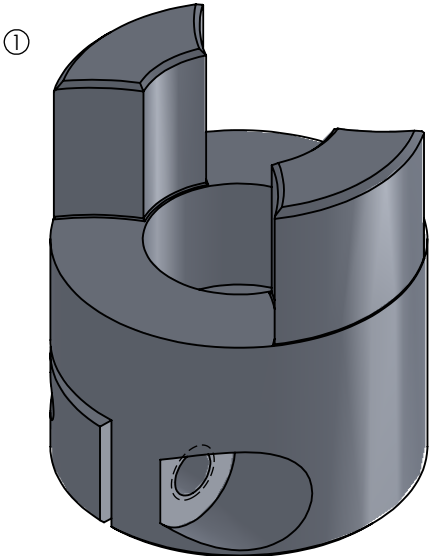


REVISIONS				
ZONE	REV.	DESCRIPTION	DATE	APPROVED
V	2	CAD REPLICATED FROM VENDOR SAMPLE	7/2/2015	CP



UNLESS OTHERWISE SPECIFIED:	NAME	DATE
DIMENSIONS ARE IN INCHES	DRAWN	CAD 7/2/2015
HOLES THROUGH ALL	CHECKED	
TOLERANCE :	ENG APPR.	
0.00 ±0.0100	MFG APPR.	
0.000 ±0.0050		
0.0000 ±0.0020		
INTERPRET GEOMETRIC TOLERANCING PER:	THIRD ANGLE PROJECTION	
MATERIAL	COMMENTS:	
FINISH		
DO NOT SCALE DRAWING		

<b>VELOX CNC</b>		
TITLE:		
<b>.500" COUPLER</b>		
CONFIG: <b>.500ID .982OD 1.102H</b>		
SIZE	PART NO.	REV
<b>A</b>	JM25C OD25 ID:12.7	<b>2</b>
SCALE: 2:1	WEIGHT:	SHEET 4 OF 4