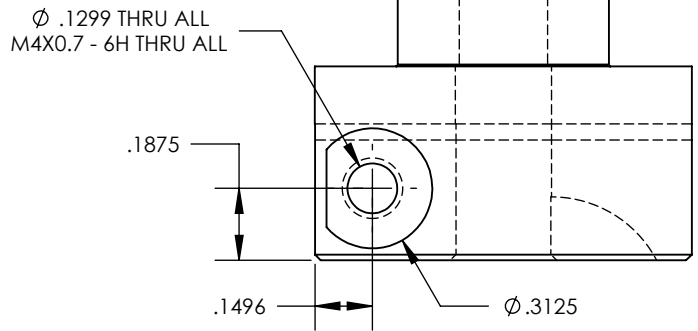
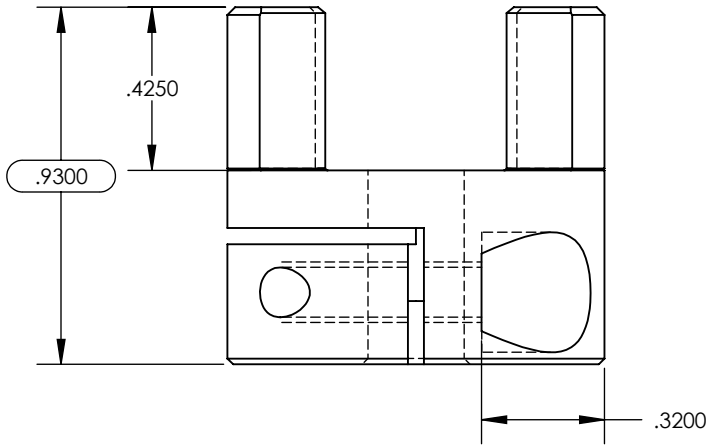
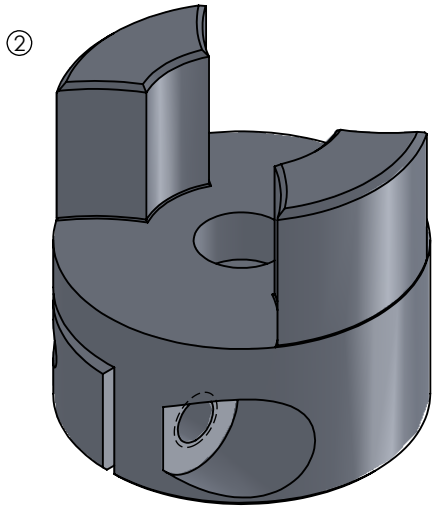


REVISIONS				
ZONE	REV.	DESCRIPTION	DATE	APPROVED
V	2	CAD REPLICATED FROM VENDOR SAMPLE	7/2/2015	CP



UNLESS OTHERWISE SPECIFIED:		NAME	DATE	VELOX CNC TITLE: .250" COUPLER CONFIG: .250ID .982OD .930H SIZE PART NO. REV A JM25C OD25 ID:6.35 2 SCALE: 2:1 WEIGHT: SHEET 1 OF 4
DIMENSIONS ARE IN INCHES		DRAWN	CAD 7/2/2015	
HOLES THROUGH ALL		CHECKED		
TOLERANCE :		ENG APPR.		
0.00 ±0.0100 0.000 ±0.0050 0.0000 ±0.0020		MFG APPR.		
INTERPRET GEOMETRIC TOLERANCING PER:		THIRD ANGLE PROJECTION		
MATERIAL		COMMENTS:		
FINISH				
DO NOT SCALE DRAWING				