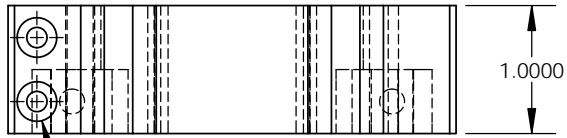
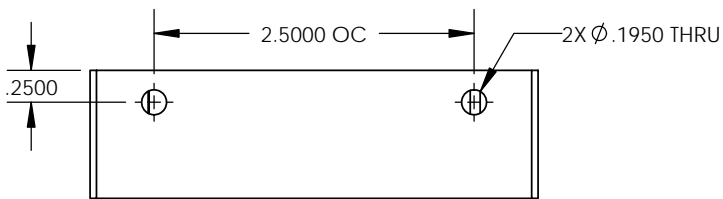
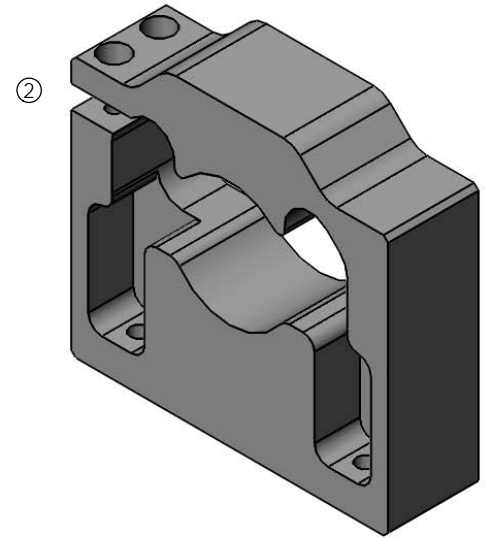
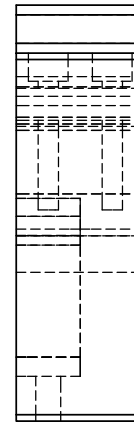
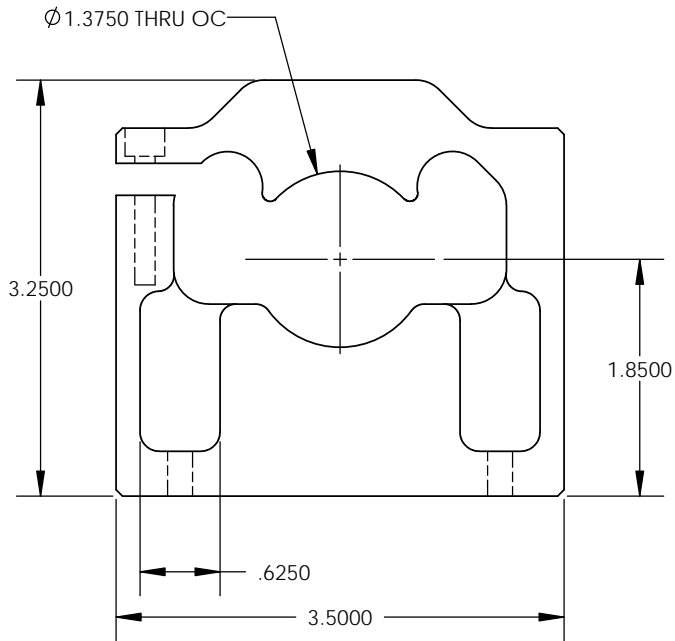


REVISIONS				
ZONE	REV.	DESCRIPTION	DATE	APPROVED
P	1	INITIAL DESIGN	2012	--
P	2	REVISED GENERAL PART DESIGN	2015	CP



$\phi .1590$ THRU
 $\phi .3100 \nabla .2200$



UNLESS OTHERWISE SPECIFIED:
 DIMENSIONS ARE IN INCHES
 HOLES THROUGH ALL
 TOLERANCE :
 0.00 ±0.0100
 0.000 ±0.0050
 0.0000 ±0.0020
 INTERPRET GEOMETRIC
 TOLERANCING PER:
 MATERIAL
 FINISH
 DO NOT SCALE DRAWING

	NAME	DATE
DRAWN	CAD	12/19/2007
CHECKED		
ENG APPR.		
MFG APPR.		
THIRD ANGLE PROJECTION		
COMMENTS:		

VELOX CNC

TITLE:
1.375in ID Plasma Mount

CONFIG: **B5A1041B_1.375in ID**

SIZE	PART NO.	REV
A	B5A1041B	1

SCALE: 2:3 | WEIGHT: | SHEET 2 OF 2