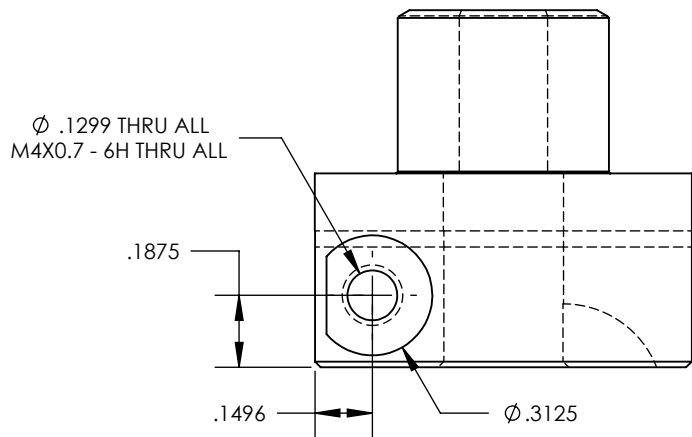
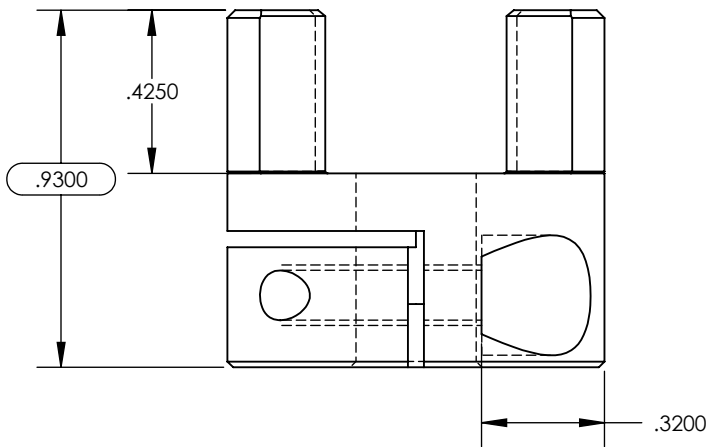
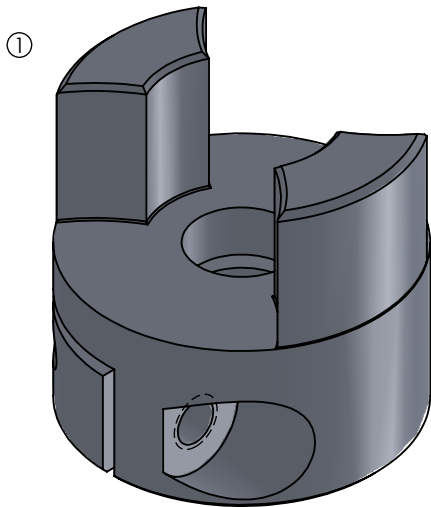


REVISIONS				
ZONE	REV.	DESCRIPTION	DATE	APPROVED
V	2	CAD REPLICATED FROM VENDOR SAMPLE	7/2/2015	CP



UNLESS OTHERWISE SPECIFIED:	NAME	DATE	<b>VELOX CNC</b>	
DIMENSIONS ARE IN INCHES	DRAWN	CAD	7/2/2015	TITLE:
HOLES THROUGH ALL	CHECKED			<b>.3125" COUPLER</b>
TOLERANCE :	ENG APPR.			CONFIG: <b>.3125ID .982OD .930H</b>
0.00 ±0.0100	MFG APPR.			SIZE PART NO.
0.000 ±0.0050				<b>A</b> JM25C OD25 ID:7.9375
0.0000 ±0.0020				REV
INTERPRET GEOMETRIC TOLERANCING PER:	THIRD ANGLE PROJECTION			<b>2</b>
MATERIAL	COMMENTS:			SCALE: 2:1
FINISH				WEIGHT:
DO NOT SCALE DRAWING				SHEET 2 OF 4